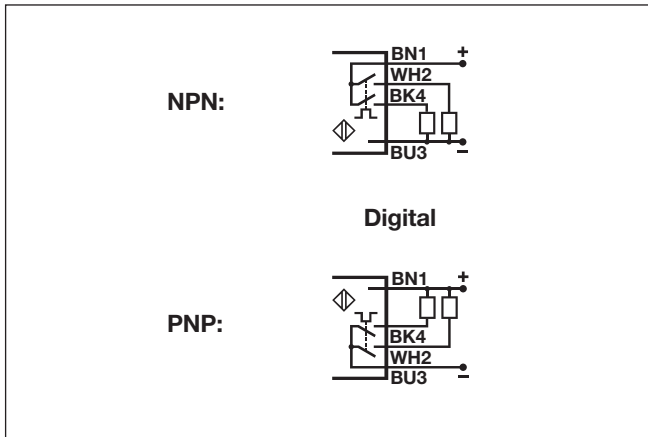
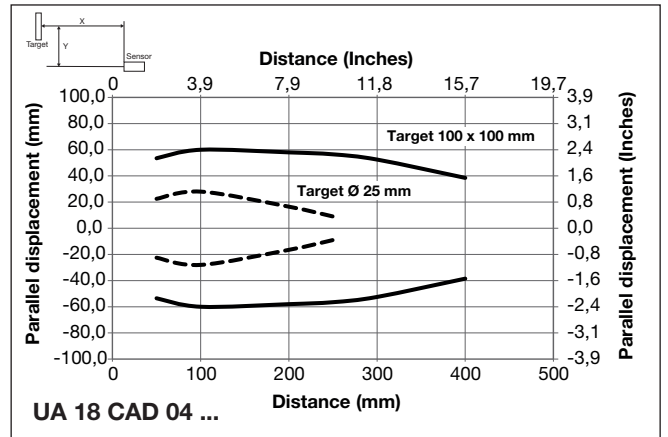


Wiring Diagram



Detection Range



Dimensions

